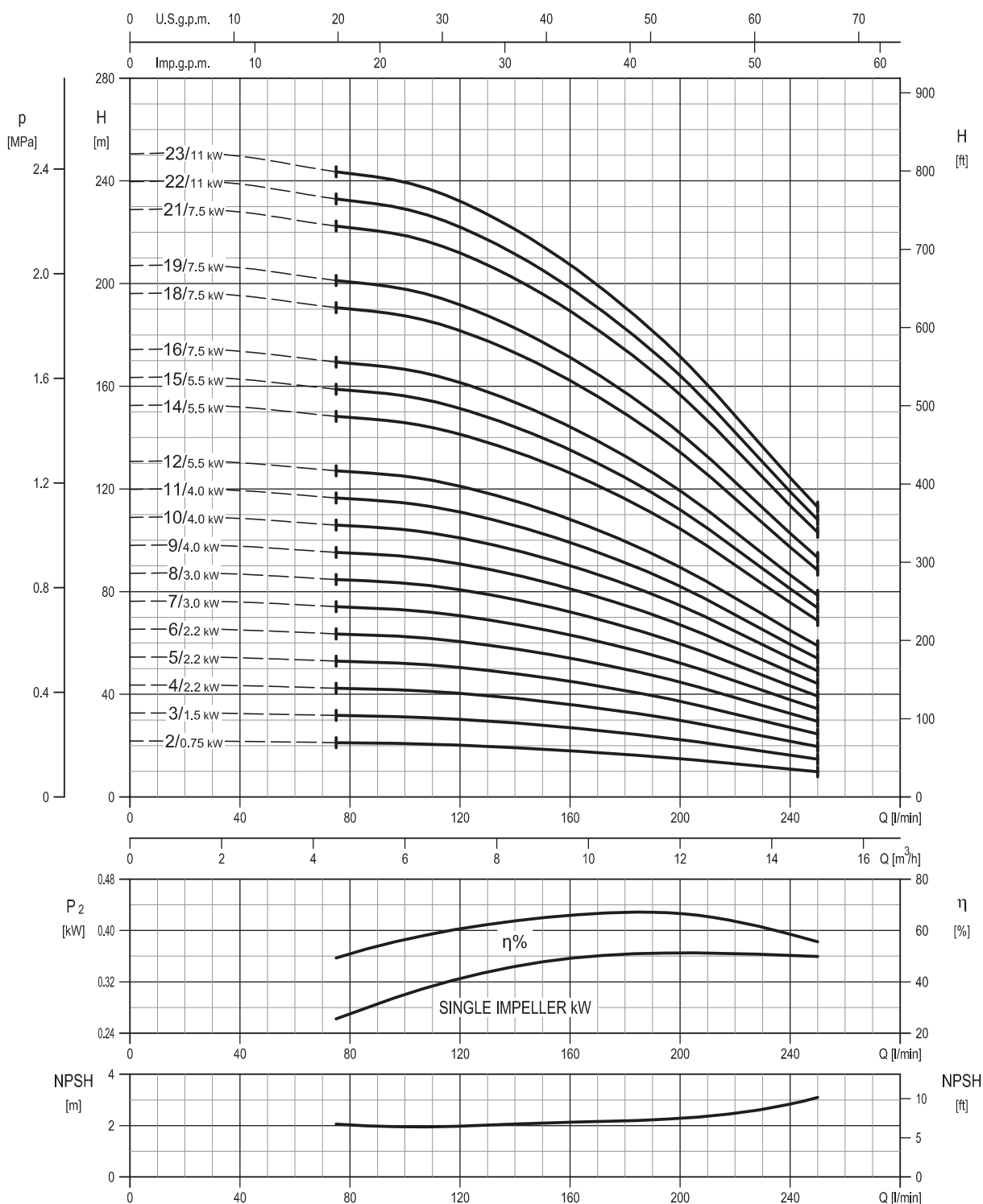


PERFORMANCE CURVE  
EVMSG10

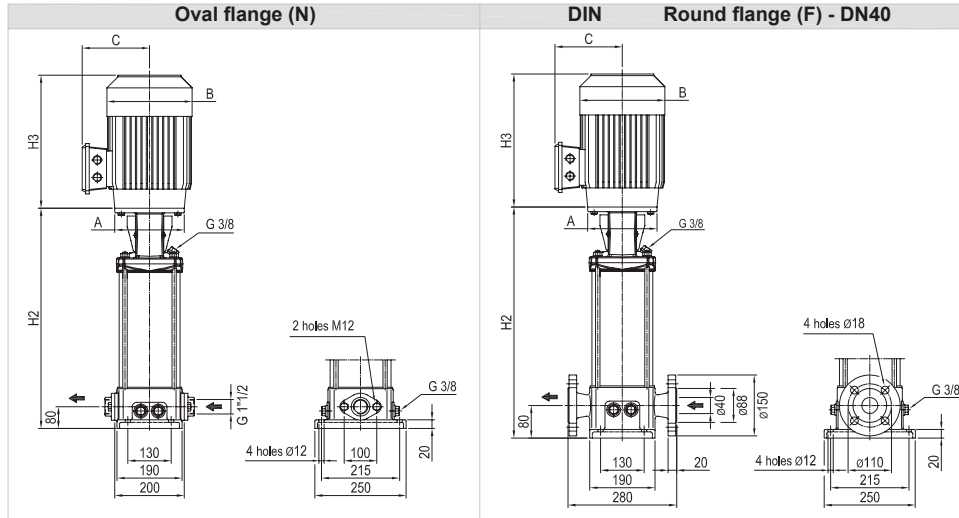
EVMSG10



Rotation speed  $\approx 2900 \text{ min}^{-1}$   
Test standard: ISO 9906:2012 - Grade 3B

### TECHNICAL DATA EVMSG10

#### Dimensional sketch



#### Dimensions [mm] and Weights [Kg]

Pump Type	Pmax [MPa]	Motor									Oval flange (N)			Round flange (F)				
		kW	Size	A	1~			3~			H2	Weight Pump		H2	Weight Pump			
					B	C	H3	B	C	H3		1~	3~		1~	3~		
EVMSG10 2/0.75	1.6	0.75	80	ø120	160	151	232	141	102	233	343	21.6	33	30.1	343	24.3	35.7	32.8
EVMSG10 3/1.5	1.6	1.5	90	ø140	172	140	278	160	119	291	383	22.5	40.3	36	383	25.3	43.1	38.8
EVMSG10 4/2.2	1.6	2.2	90	ø140	172	140	278	160	119	291	413	23.3	42.8	38.3	413	26	45.5	41
EVMSG10 5/2.2	1.6	2.2	90	ø140	172	140	278	160	119	291	443	24.2	43.7	39.2	443	26.9	46.4	41.9
EVMSG10 6/2.2	1.6	2.2	90	ø140	172	140	278	160	119	291	473	25	44.5	40	473	27.7	47.2	42.7
EVMSG10 7/3.0	1.6	3.0	100	ø160	-	-	-	176	123	342	513	26	-	48	513	28.7	-	50.7
EVMSG10 8/3.0	1.6	3.0	100	ø160	-	-	-	176	123	342	543	26.8	-	48.8	543	29.5	-	51.5
EVMSG10 9/4.0	1.6	4.0	112	ø160	-	-	-	193	138	364	573	27.7	-	56.2	573	30.4	-	58.9
EVMSG10 10/4.0	1.6	4.0	112	ø160	-	-	-	193	138	364	603	28.5	-	57	603	31.2	-	59.7
EVMSG10 11/4.0	1.6	4.0	112	ø160	-	-	-	193	138	364	633	30.1	-	58.6	633	32.9	-	61.4
EVMSG10 12/5.5	1.6	5.5	132	ø300	-	-	-	220	152	399	761	39.9	-	78.9	761	42.7	-	81.7
EVMSG10 14/5.5	1.6	5.5	132	ø300	-	-	-	220	152	399	821	41.8	-	80.8	821	44.5	-	83.5
EVMSG10 15/5.5	1.6	5.5	132	ø300	-	-	-	220	152	399	851	42.7	-	81.7	851	45.4	-	84.4
EVMSG10 16/7.5	2.5	7.5	132	ø300	-	-	-	220	152	419	-	-	-	-	881	46.3	-	92.3
EVMSG10 18/7.5	2.5	7.5	132	ø300	-	-	-	220	152	419	-	-	-	-	941	47.7	-	93.7
EVMSG10 19/7.5	2.5	7.5	132	ø300	-	-	-	220	152	419	-	-	-	-	971	49.1	-	95.1
EVMSG10 21/7.5	2.5	7.5	132	ø300	-	-	-	220	152	419	-	-	-	-	1031	50.9	-	96.9
EVMSG10 22/11	2.5	11	160	ø350	-	-	-	259	180	440	-	-	-	-	1091	53.2	-	115.7
EVMSG10 23/11	2.5	11	160	ø350	-	-	-	259	180	440	-	-	-	-	1121	59.9	-	122.4

1.6 MPa=16 bar ; 2.5 MPa=25 bar  
- not available model