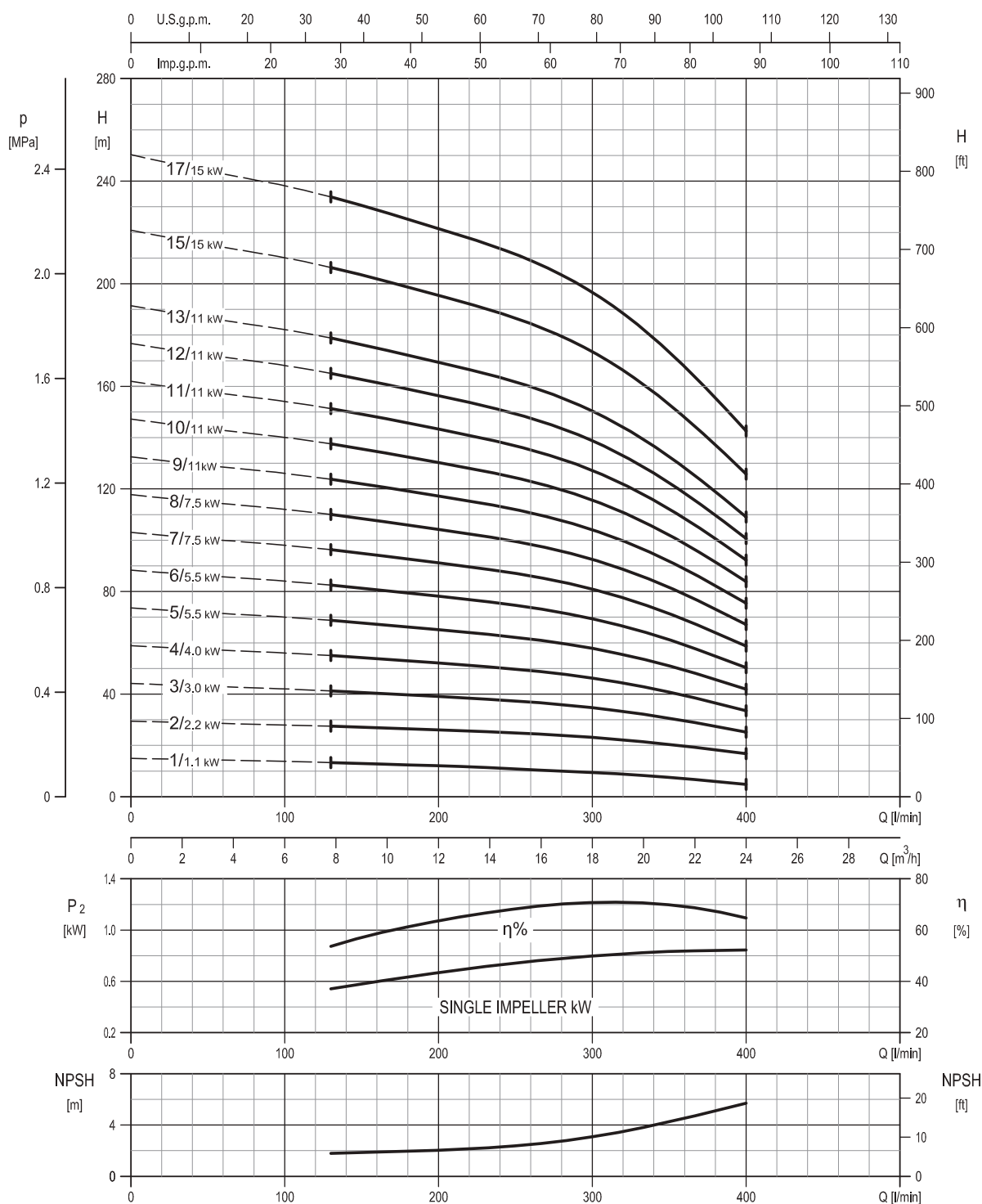


PERFORMANCE CURVE
EVMSG15

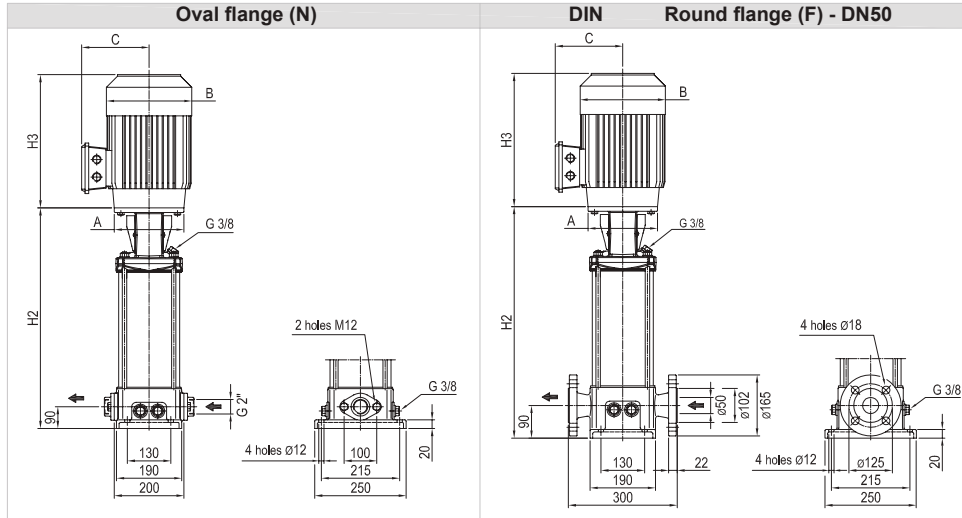


Rotation speed $\approx 2900 \text{ min}^{-1}$
Test standard: ISO 9906:2012 - Grade 3B

EVMSG15

TECHNICAL DATA EVMSG15

Dimensional sketch



Dimensions [mm] and Weights [Kg]

Pump Type	Pmax [MPa]	Motor									Oval flange (N)			Round flange (F)				
		kW	Size	A	1~			3~			H2	Weight Pump		H2	Weight Pump			
					B	C	H3	B	C	H3		1~	3~		1~	3~		
EVMSG15 1/1.1	1.6	1.1	80	Ø120	160	151	232	141	102	244	377	22.4	34.2	32.4	377	26.9	38.7	36.9
EVMSG15 2/2.2	1.6	2.2	90	Ø140	172	140	278	160	119	291	387	22.6	42.1	37.6	387	27.2	46.7	42.2
EVMSG15 3/3.0	1.6	3.0	100	Ø160	-	-	-	176	123	342	437	24	-	46	437	28.5	-	50.5
EVMSG15 4/4.0	1.6	4.0	112	Ø160	-	-	-	193	138	364	477	25.2	-	53.7	477	29.7	-	58.2
EVMSG15 5/5.5	1.6	5.5	132	Ø300	-	-	-	220	152	399	614	34.9	-	73.9	614	39.5	-	78.5
EVMSG15 6/5.5	1.6	5.5	132	Ø300	-	-	-	220	152	399	654	36.1	-	75.1	654	40.7	-	79.7
EVMSG15 7/7.5	1.6	7.5	132	Ø300	-	-	-	220	152	419	694	38.3	-	84.3	694	42.9	-	88.9
EVMSG15 8/7.5	1.6	7.5	132	Ø300	-	-	-	220	152	419	734	39.6	-	85.6	734	44.2	-	90.2
EVMSG15 9/11	1.6	11	160	Ø350	-	-	-	259	180	440	804	40.9	-	103.4	804	45.5	-	108
EVMSG15 10/11	1.6	11	160	Ø350	-	-	-	259	180	440	844	42.2	-	104.7	844	46.8	-	109.3
EVMSG15 11/11	1.6	11	160	Ø350	-	-	-	259	180	440	884	50.2	-	112.7	884	54.7	-	117.2
EVMSG15 12/11	2.5	11	160	Ø350	-	-	-	259	180	440	-	-	-	-	924	56	-	118.5
EVMSG15 13/11	2.5	11	160	Ø350	-	-	-	259	180	440	-	-	-	-	964	57.3	-	119.8
EVMSG15 15/15	2.5	15	160 M	Ø350	-	-	-	317	238	498	-	-	-	-	1044	59.9	-	148.8
EVMSG15 17/15	2.5	15	160 M	Ø350	-	-	-	317	238	498	-	-	-	-	1124	62.8	-	151.7

1.6 MPa=16 bar ; 2.5 MPa=25 bar
- not available model