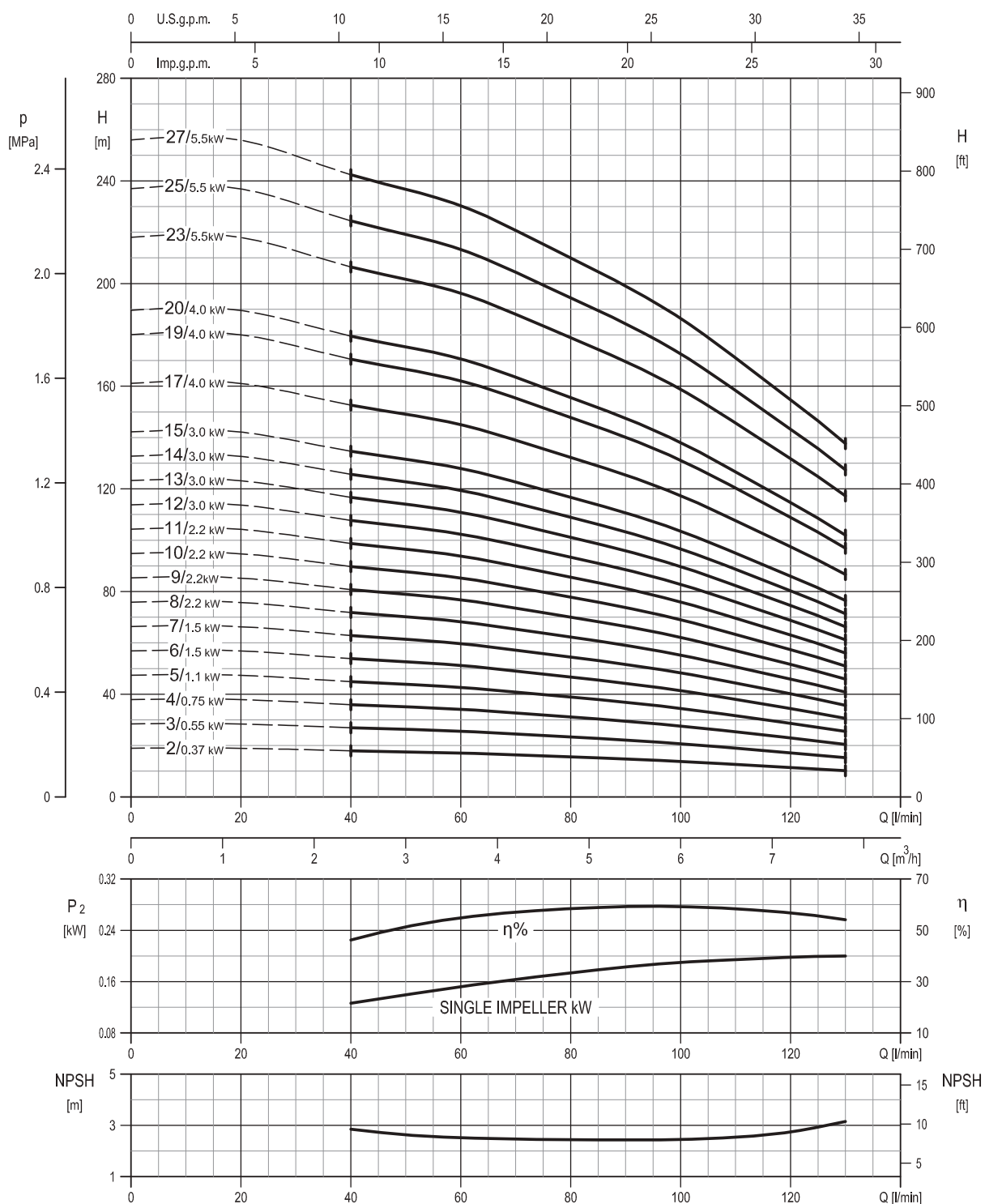


PERFORMANCE CURVE  
EVMSG5

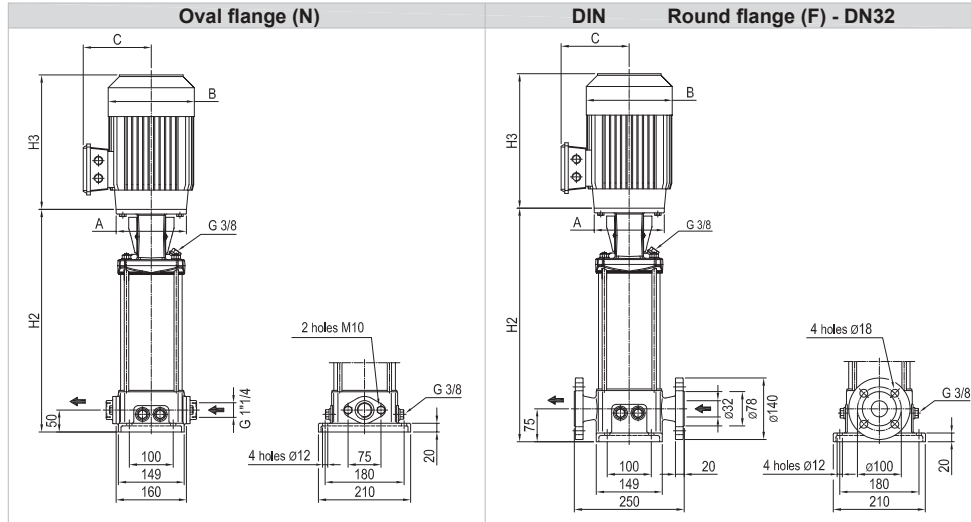
EVMSG5



Rotation speed  $\approx 2900 \text{ min}^{-1}$   
Test standard: ISO 9906:2012 - Grade 3B

### TECHNICAL DATA EVMSG5

#### Dimensional sketch



#### Dimensions [mm] and Weights [Kg]

Pump Type	Pmax [MPa]	kW	Size	Motor									Oval flange (N)			Round flange (F)		
				A			1~			3~			H2	Weight Pump + Motor		H2	Weight Pump + Motor	
				B	C	H3	B	C	H3	B	C	H3		Weight Pump	1 ~ 3 ~		Weight Pump	1 ~ 3 ~
EVMSG5 2/0.37	1.6	0.37	71	Ø105	139	133	216	139	114	216	264	13	20.1	18.8	289	17.5	24.6	23.3
EVMSG5 3/0.55	1.6	0.55	71	Ø105	139	133	216	139	114	216	292	13.5	22	19.7	317	18	26.5	24.2
EVMSG5 4/0.75	1.6	0.75	80	Ø120	160	151	232	141	102	233	330	14.5	25.9	23	355	19	30.4	27.5
EVMSG5 5/1.1	1.6	1.1	80	Ø120	160	151	232	141	102	244	358	15	26.8	25	383	19.5	31.3	29.5
EVMSG5 6/1.5	1.6	1.5	90	Ø140	172	140	278	160	119	291	396	15.5	33.3	29	421	20.1	37.9	33.6
EVMSG5 7/1.5	1.6	1.5	90	Ø140	172	140	278	160	119	291	424	16	33.8	29.5	449	20.5	38.3	34
EVMSG5 8/2.2	1.6	2.2	90	Ø140	172	140	278	160	119	291	452	16.6	36.1	31.6	477	21.1	40.6	36.1
EVMSG5 9/2.2	1.6	2.2	90	Ø140	172	140	278	160	119	291	480	17.1	36.6	32.1	505	21.6	41.1	36.6
EVMSG5 10/2.2	1.6	2.2	90	Ø140	172	140	278	160	119	291	508	17.6	37.1	32.6	533	22.1	41.6	37.1
EVMSG5 11/2.2	1.6	2.2	90	Ø140	172	140	278	160	119	291	536	18.4	37.9	33.4	561	22.9	42.4	37.9
EVMSG5 12/3.0	1.6	3.0	100	Ø160	-	-	-	176	123	342	574	19.6	-	41.6	599	24.1	-	46.1
EVMSG5 13/3.0	1.6	3.0	100	Ø160	-	-	-	176	123	342	602	20.2	-	42.2	627	24.7	-	46.7
EVMSG5 14/3.0	1.6	3.0	100	Ø160	-	-	-	176	123	342	630	20.8	-	42.8	655	25.3	-	47.3
EVMSG5 15/3.0	1.6	3.0	100	Ø160	-	-	-	176	123	342	658	21.8	-	43.8	683	26.3	-	48.3
EVMSG5 17/4.0	1.6	4.0	112	Ø160	-	-	-	193	138	364	714	22.5	-	51	739	27	-	55.5
EVMSG5 19/4.0	2.5	4.0	112	Ø160	-	-	-	193	138	364	-	-	-	-	795	28.1	-	56.6
EVMSG5 20/4.0	2.5	4.0	112	Ø160	-	-	-	193	138	364	-	-	-	-	823	30.3	-	58.8
EVMSG5 23/5.5	2.5	5.5	132	Ø300	-	-	-	220	152	399	-	-	-	-	1001	37	-	76
EVMSG5 25/5.5	2.5	5.5	132	Ø300	-	-	-	220	152	399	-	-	-	-	1057	38	-	77
EVMSG5 27/5.5	2.5	5.5	132	Ø300	-	-	-	220	152	399	-	-	-	-	1113	39.6	-	78.6

1.6 MPa=16 bar ; 2.5 MPa=25 bar  
- not available model