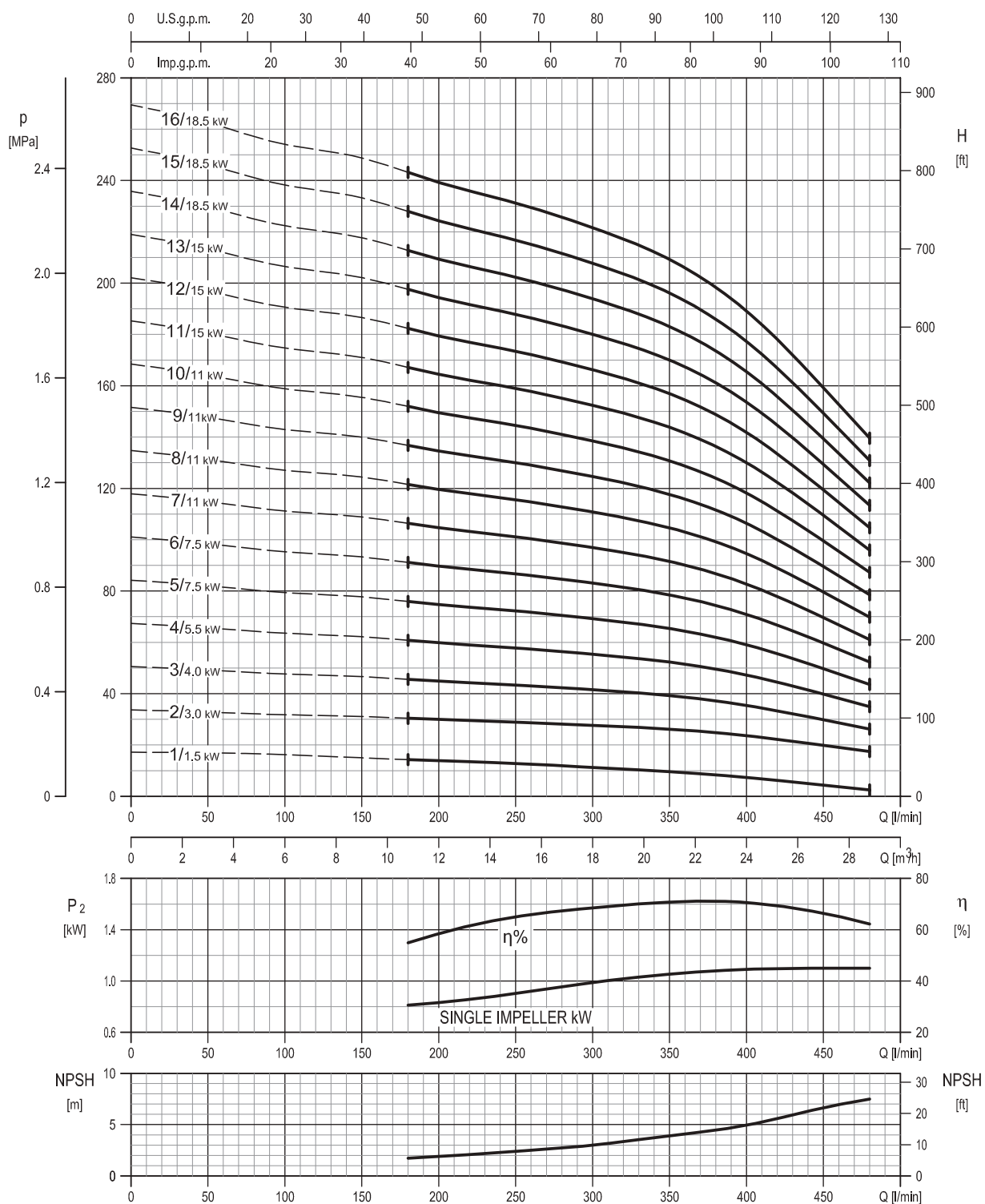


PERFORMANCE CURVE
EVMSG20

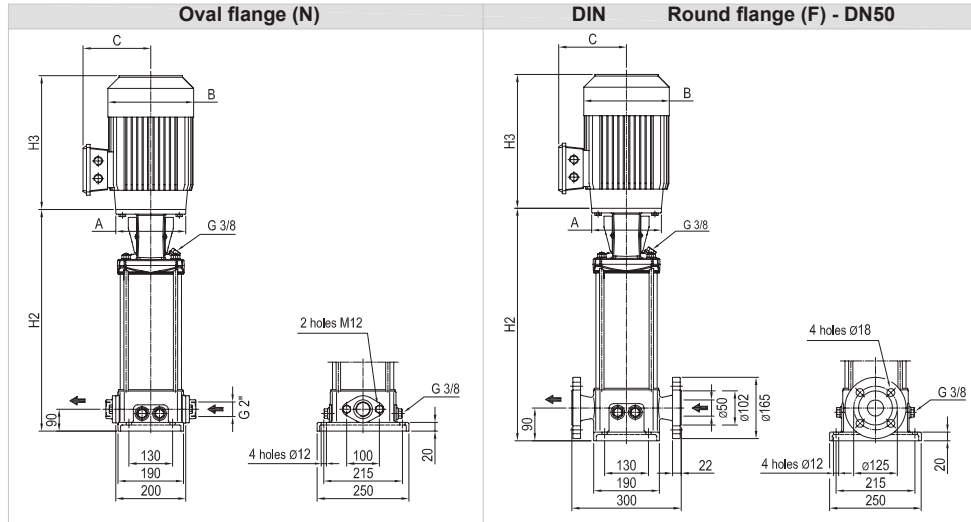
EVMSG20



Rotation speed ≈ 2900 min⁻¹
Test standard: ISO 9906:2012 - Grade 3B

TECHNICAL DATA EVMSG20

Dimensional sketch



Dimensions [mm] and Weights [Kg]

Pump Type	Pmax [MPa]	Motor									Oval flange (N)			Round flange (F)				
		kW	Size	A	1~			3~			H2	Weight Pump		H2	Weight Pump		Weight Pump + Motor	
					B	C	H3	B	C	H3		1~	3~		1~	3~		
EVMSG20 1/1.5	1.6	1.5	90	Ø140	172	140	278	160	119	291	387	22.6	40.4	36.1	387	27.2	45	40.7
EVMSG20 2/3.0	1.6	3.0	100	Ø160	-	-	-	176	123	342	397	22.7	-	44.7	397	27.3	-	49.3
EVMSG20 3/4.0	1.6	4.0	112	Ø160	-	-	-	193	138	364	437	24.1	-	52.6	437	28.7	-	57.2
EVMSG20 4/5.5	1.6	5.5	132	Ø300	-	-	-	220	152	399	574	30	-	69	574	34.6	-	73.6
EVMSG20 5/7.5	1.6	7.5	132	Ø300	-	-	-	220	152	419	614	31.2	-	77.2	614	35.9	-	81.9
EVMSG20 6/7.5	1.6	7.5	132	Ø300	-	-	-	220	152	419	654	32.5	-	78.5	654	37.1	-	83.1
EVMSG20 7/11	1.6	11	160	Ø350	-	-	-	259	180	440	724	34.8	-	97.3	724	39.4	-	101.9
EVMSG20 8/11	1.6	11	160	Ø350	-	-	-	259	180	440	764	46.6	-	109.1	764	51.2	-	113.7
EVMSG20 9/11	1.6	11	160	Ø350	-	-	-	259	180	440	804	47.9	-	110.4	804	52.5	-	115
EVMSG20 10/11	2.5	11	160	Ø350	-	-	-	259	180	440	-	-	-	-	844	53.9	-	116.4
EVMSG20 11/15	2.5	15	160 M	Ø350	-	-	-	317	238	498	-	-	-	-	884	55.2	-	144.1
EVMSG20 12/15	2.5	15	160 M	Ø350	-	-	-	317	238	498	-	-	-	-	924	56.5	-	145.4
EVMSG20 13/15	2.5	15	160 M	Ø350	-	-	-	317	238	498	-	-	-	-	964	57.9	-	146.8
EVMSG20 14/18.5	2.5	18.5	160 L	Ø350	-	-	-	317	238	542	-	-	-	-	1004	59.2	-	163.2
EVMSG20 15/18.5	2.5	18.5	160 L	Ø350	-	-	-	317	238	542	-	-	-	-	1044	60.5	-	164.5
EVMSG20 16/18.5	2.5	18.5	160 L	Ø350	-	-	-	317	238	542	-	-	-	-	1084	61.8	-	165.8

1.6 MPa=16 bar ; 2.5 MPa=25 bar
- not available model