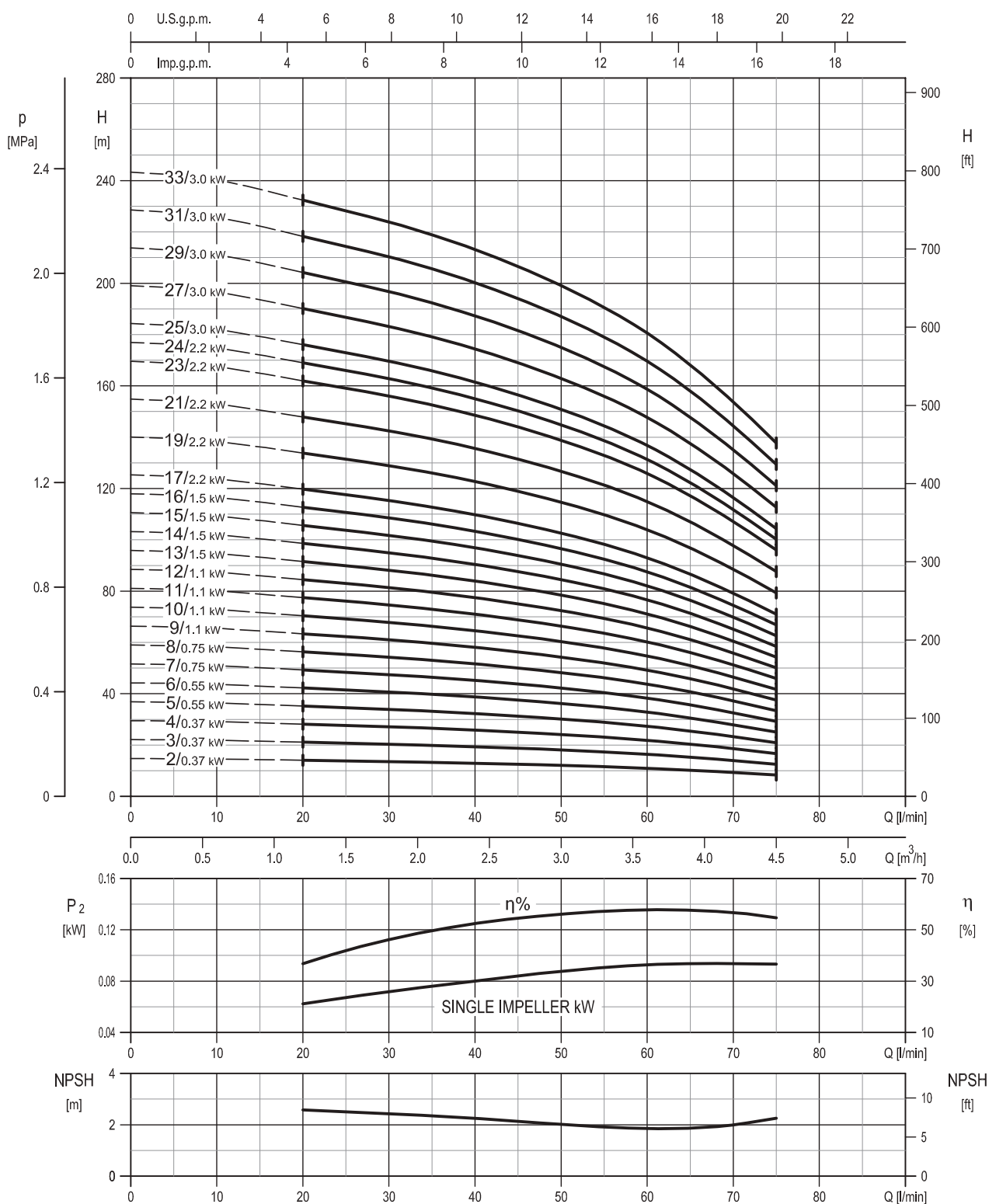


PERFORMANCE CURVE
EVMSG3

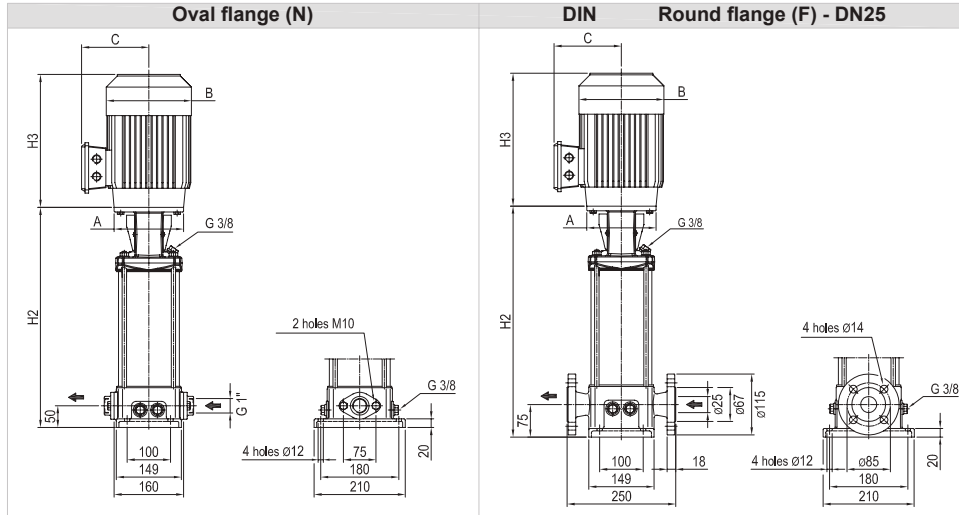
EVMSG3



Rotation speed $\approx 2900 \text{ min}^{-1}$
Test standard: ISO 9906:2012 - Grade 3B

TECHNICAL DATA EVMSG3

Dimensional sketch



Dimensions [mm] and Weights [Kg]

Pump Type	Pmax [MPa]	Motor									Oval flange (N)			Round flange (F)				
		kW	Size	A	1 ~			3 ~			H2	Weight Pump		H2	Weight Pump + Motor			
					B	C	H3	B	C	H3		1 ~	3 ~		1 ~	3 ~		
EVMSG3 2/0.37	1.6	0.37	71	Ø105	139	133	216	139	114	216	250	12.9	20	18.7	275	15.7	22.8	21.5
EVMSG3 3/0.37	1.6	0.37	71	Ø105	139	133	216	139	114	216	271	13.3	20.4	19.1	296	16.1	23.2	21.9
EVMSG3 4/0.37	1.6	0.37	71	Ø105	139	133	216	139	114	216	292	13.8	20.9	19.6	317	16.6	23.7	22.4
EVMSG3 5/0.55	1.6	0.55	71	Ø105	139	133	216	139	114	216	313	14.2	22.7	20.4	338	17	25.5	23.2
EVMSG3 6/0.55	1.6	0.55	71	Ø105	139	133	216	139	114	216	334	14.7	23.2	20.9	359	17.4	25.9	23.6
EVMSG3 7/0.75	1.6	0.75	80	Ø120	160	151	232	141	102	233	365	15.6	27	24.1	390	18.3	29.7	26.8
EVMSG3 8/0.75	1.6	0.75	80	Ø120	160	151	232	141	102	233	386	16	27.4	24.5	411	18.8	30.2	27.3
EVMSG3 9/1.1	1.6	1.1	80	Ø120	160	151	232	141	102	244	407	16.4	28.2	26.4	432	19.2	31	29.2
EVMSG3 10/1.1	1.6	1.1	80	Ø120	160	151	232	141	102	244	428	16.9	28.7	26.9	453	19.7	31.5	29.7
EVMSG3 11/1.1	1.6	1.1	80	Ø120	160	151	232	141	102	244	449	17.3	29.1	27.3	474	20.1	31.9	30.1
EVMSG3 12/1.1	1.6	1.1	80	Ø120	160	151	232	141	102	244	470	17.8	29.6	27.8	495	20.6	32.4	30.6
EVMSG3 13/1.5	1.6	1.5	90	Ø140	172	140	278	160	119	291	501	18.5	36.3	32	526	21.3	39.1	34.8
EVMSG3 14/1.5	1.6	1.5	90	Ø140	172	140	278	160	119	291	522	19	36.8	32.5	547	21.7	39.5	35.2
EVMSG3 15/1.5	1.6	1.5	90	Ø140	172	140	278	160	119	291	543	19.4	37.2	32.9	568	22.2	40	35.7
EVMSG3 16/1.5	1.6	1.5	90	Ø140	172	140	278	160	119	291	564	20.5	38.3	34	589	23.2	41	36.7
EVMSG3 17/2.2	1.6	2.2	90	Ø140	172	140	278	160	119	291	585	20.9	40.4	35.9	610	23.7	43.2	38.7
EVMSG3 19/2.2	1.6	2.2	90	Ø140	172	140	278	160	119	291	627	21.9	41.4	36.9	652	24.7	44.2	39.7
EVMSG3 21/2.2	1.6	2.2	90	Ø140	172	140	278	160	119	291	669	22.8	42.3	37.8	694	25.6	45.1	40.6
EVMSG3 23/2.2	2.5	2.2	90	Ø140	172	140	278	160	119	291	-	-	-	-	736	26.6	46.1	41.6
EVMSG3 24/2.2	2.5	2.2	90	Ø140	172	140	278	160	119	291	-	-	-	-	757	27	46.5	42
EVMSG3 25/3.0	2.5	3.0	100	Ø160	-	-	-	176	123	342	-	-	-	-	788	27.6	-	49.6
EVMSG3 27/3.0	2.5	3.0	100	Ø160	-	-	-	176	123	342	-	-	-	-	830	28.6	-	50.6
EVMSG3 29/3.0	2.5	3.0	100	Ø160	-	-	-	176	123	342	-	-	-	-	872	29.6	-	51.6
EVMSG3 31/3.0	2.5	3.0	100	Ø160	-	-	-	176	123	342	-	-	-	-	914	30.5	-	52.5
EVMSG3 33/3.0	2.5	3.0	100	Ø160	-	-	-	176	123	342	-	-	-	-	956	31.3	-	53.3

1.6 MPa=16 bar ; 2.5 MPa=25 bar
- not available model