

PRODUCT SPECIFICATIONS EVMS(.)1-3-5-10-15-20

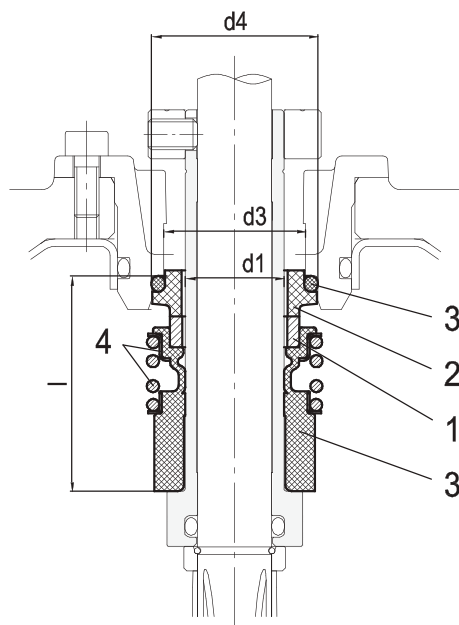
PUMP																				
Version		EVMSG						EVMS						EVMSL						
Operating range	Nominal flow rate (m³/h)	1	3	5	10	15	20	1	3	5	10	15	20	1	3	5	10	15	20	
	Maximum working pressure	1.6 / 2.5 MPa (16 bar/25 bar)																		
	Liquid temperature range	-30° to 140°C																		
Key Components Material	Impeller	EN 1.4301 (AISI 304)						EN 1.4404 (AISI 316L)												
	Intermediate casing	EN 1.4301 (AISI 304)						EN 1.4404 (AISI 316L)												
	Liner ring	EN 1.4301 (AISI 304) + PPS						EN 1.4404 (AISI 316L) + PPS												
	Bottom casing	Cast Iron			EN 1.4301 (AISI 304)			EN 1.4404 (AISI 316L)												
	Casing cover	EN 1.4301 (AISI 304)						EN 1.4404 (AISI 316L)												
	Shaft	EN 1.4301 (AISI 304)	EVMSG / EVMS 1-3-10 . EVMSG / EVMS 5-15-20 (depend on models)																	
		EN 1.4404 (AISI 316L)	EVMSL 1-3-10 . EVMSL 5-15-20 (depend on models)																	
		EN 1.4462 (AISI 329A)	EVMSG / EVMS / EVMSL 5-15-20 (depend on models)																	
	Shaft sleeve bearing	Tungsten carbide																		
	Shaft Seal	See the shaft seal options																		
	O-ring	EPDM	●	●	●	●	●	●	●	●	●	●	●	●	●	●	●	●	●	●
		FPM	●	●	●	●	●	●	●	●	●	●	●	●	●	●	●	●	●	●
	Outer casing	EN 1.4301 (AISI 304)						EN 1.4404 (AISI 316L)												
	Motor Bracket	Cast Iron																		
	Tie rod	Galvanized steel 6.8 strength class ISO 898/1																		
Coupling	up to 4.0 kW	Die cast aluminium																		
	from 5.5 kW	Cast Iron																		
Base	Cast Iron						Die cast aluminium													
Pipe connection	Oval flange	up to 16 bar	●	●	●	●	●	●	●	●	●	●	●	●	●	●	●	●	●	
	Round flange (DIN)	up to 16 bar	●	●	●	●	●	●	●	●	●	●	●	●	●	●	●	●	●	
		from 16 bar to 25 bar	●	●	●	●	●	●	●	●	●	●	●	●	●	●	●	●	●	
	Loose round flange (DIN)	up to 16 bar						●	●	●	●	●	●	●	●	●	●	●	●	
		from 16 bar to 25 bar						●	●	●	●	●	●	●	●	●	●	●	●	
	Victaulic®	up to 16/25 bar						●	●	●	●	●	●	●	●	●	●	●	●	
Clamp	up to 16/25 bar						●	●	●	●	●	●	●	●	●	●	●	●		

Legend: ● Available

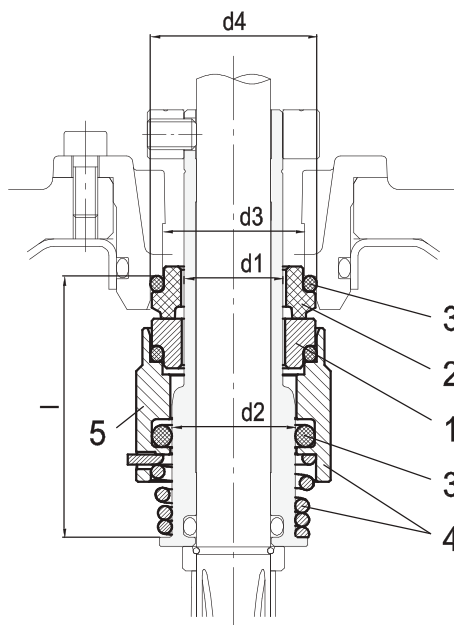
MOTOR						
Power Source	Frequency	50 Hz				
	Phase	Single Phase Three Phase				
	Rotation speed	≈ 2900 min ⁻¹				
	Power rating	<table border="0"> <tr> <td style="text-align: center;">0.37 + 2.2 kW</td> <td style="text-align: center;">0.37 + 18.5 kW</td> </tr> <tr> <td style="text-align: center;">0.5 + 3.0 HP</td> <td style="text-align: center;">0.5 + 25 HP</td> </tr> </table>	0.37 + 2.2 kW	0.37 + 18.5 kW	0.5 + 3.0 HP	0.5 + 25 HP
	0.37 + 2.2 kW	0.37 + 18.5 kW				
0.5 + 3.0 HP	0.5 + 25 HP					
Voltage	<table border="0"> <tr> <td style="text-align: center;">230 ± 10% V</td> <td style="text-align: center;">230/400 ± 10% V (up to 4.0 kW)</td> </tr> <tr> <td></td> <td style="text-align: center;">400/690 ± 10% V (above 5.5 kW)</td> </tr> </table>	230 ± 10% V	230/400 ± 10% V (up to 4.0 kW)		400/690 ± 10% V (above 5.5 kW)	
230 ± 10% V	230/400 ± 10% V (up to 4.0 kW)					
	400/690 ± 10% V (above 5.5 kW)					
Type	Type	Electric - TEFC				
	Efficiency Level	<table border="0"> <tr> <td style="text-align: center;">from 0.37 up to 2.2 kW</td> <td style="text-align: center;">- : from 0.37 up to 0.55 kW</td> </tr> <tr> <td></td> <td style="text-align: center;">IE3 : above 0.75 kW</td> </tr> </table>	from 0.37 up to 2.2 kW	- : from 0.37 up to 0.55 kW		IE3 : above 0.75 kW
	from 0.37 up to 2.2 kW	- : from 0.37 up to 0.55 kW				
		IE3 : above 0.75 kW				
	No° of poles	2				
Protection degree	IP 55					
Insulation Class	F (temperature rise class B)					
Others	Thermal Protection	PTC is available for the above 1.5 kW included				
	Casing Material	Aluminium				
	Flange mount (IEC motor)	<table border="0"> <tr> <td style="text-align: center;">IM B14 (up to 4.0 kW)</td> </tr> <tr> <td style="text-align: center;">IM B5 (above 5.5 kW)</td> </tr> </table>	IM B14 (up to 4.0 kW)	IM B5 (above 5.5 kW)		
	IM B14 (up to 4.0 kW)					
IM B5 (above 5.5 kW)						
Terminal Box fixing	Unlosable screw and sealing from 0.75 kW to 11 kW					

SHAFT SEAL
EVMS(.)1-3-5-10-15-20

1. Shaft Seal



up to 16 bar
Cartridge Unbalanced type



from 16 to 25 bar
Cartridge Balanced type

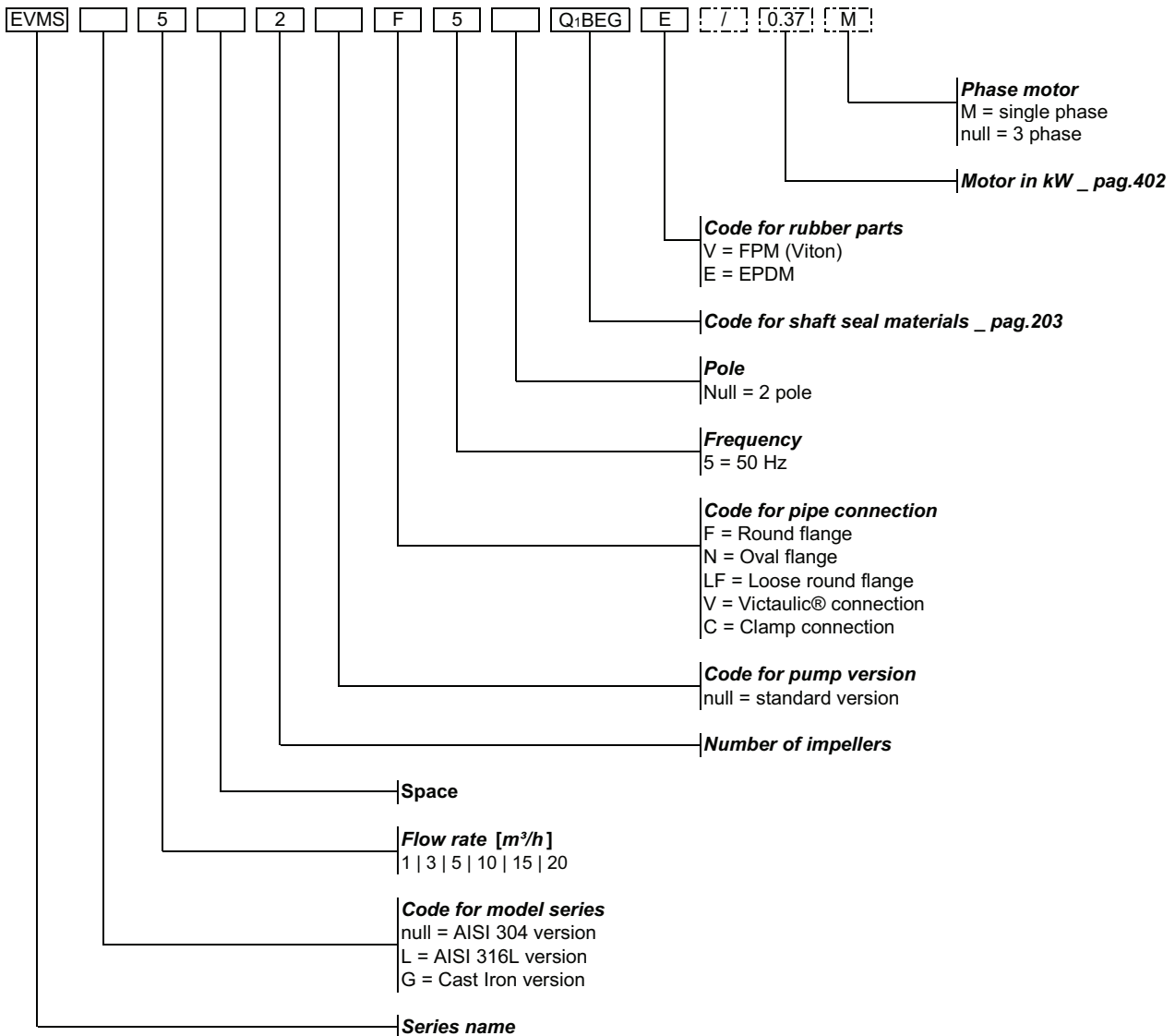
2. Type of Shaft Seal and Dimensions [mm]

Pump model	Max operating temperature	Shaft seal type		Shaft seal material									Type Key
		Unbalanced	Balanced	1 Rotating Part	Code	2 Stationary Part	Code	3 Elastomers	Code	4 Compression spring	5 Collar	Code	
up to 16 bar	- 30°C to + 120°C	●		SiC	(Q1)	Carbon	(B)	EPDM	(E)	AISI 316	(G)	Q1BEG	
	- 30°C to + 80°C	●		SiC	(Q1)	Carbon	(B)	FPM	(V)	AISI 316	(G)	Q1BVG	
	- 30°C to + 140°C		●	SiC with graphite	(Qg)	SiC	(Q1)	EPDM	(E)	AISI 316	(G)	HQgQ1EG	
	- 30°C to + 80°C		●	SiC with graphite	(Qg)	SiC	(Q1)	FPM	(V)	AISI 316	(G)	HQgQ1VG	
	- 30°C to + 140°C		●	SiC	(Q1)	Carbon	(B)	EPDM	(E)	AISI 316	(G)	HQ1BEG	
from 16 to 25 bar	- 30°C to + 140°C		●	SiC	(Q1)	Carbon	(B)	EPDM	(E)	AISI 316	(G)	HQ1BEG	
	- 30°C to + 80°C		●	SiC	(Q1)	Carbon	(B)	FPM	(V)	AISI 316	(G)	HQ1BVG	
	- 30°C to + 140°C		●	SiC with graphite	(Qg)	SiC	(Q1)	EPDM	(E)	AISI 316	(G)	HQgQ1EG	
	- 30°C to + 80°C		●	SiC with graphite	(Qg)	SiC	(Q1)	FPM	(V)	AISI 316	(G)	HQgQ1VG	

● Available

Pump model	Shaft seal type		Max operating pressure	d1 [[mm]]	d2 [[mm]]	d3 [[mm]]	d4 [[mm]]	l [[mm]]
EVMS 1/3/5	Cartridge	Unbalanced	16 bar	16	-	23	27	35
		Balanced	25 bar		20			42.5
EVMS 10/15/20	Cartridge	Unbalanced	16 bar	20	-	29	35	37.5
		Balanced	25 bar		24			45

TYPE KEY EVMS(.)1-3-5-10-15-20



Example for pump without motor:
EVMS5 2F5Q1BEGE

Example for pump with motor:
EVMS5 2F5Q1BEGE/0.37M

NAMEPLATE

P.N/A 01234860221		CE	
EBARA Via Campo Sportivo, 30 38023 Cles (TN) - ITALY			
MADE IN ITALY			
TYPE	①		
○ Hmax	④ m	Hmin	⑤ m ○
Q	②	Vmin	③ m
P2	⑥ kW	Hz	⑧ min ⁻¹ ⑨
HP	⑦	PN ^o	⑩
MEI >	⑪	Hyd. eff.	⑫ %

- 1) "TYPE" Pump model
- 2) "Q" Indicates upper and lower flow rate limits
- 3) "H" Indicates head limits corresponding to minimum and maximum flow rate
- 4) "Hmax" Maximum head
- 5) "Hmin" Minimum head
- 6) "P2" Rated power of the motor (output at shaft)
- 7) "HP" Rated power of the motor expressed in HP (Horse Power)
- 8) "Hz" Frequency
- 9) "min-1" Speed of rotation
- 10) "P/N^o" Pump item number
- 11) "MEI" Index of the pump's quality in relation to its efficiency
- 12) "Hyd. Eff. " Hydraulic efficiency of the pump

PERFORMANCE RANGE
EVMS(.)1-3-5-10-15-20

EVMS _ PERFORMANCE RANGE

