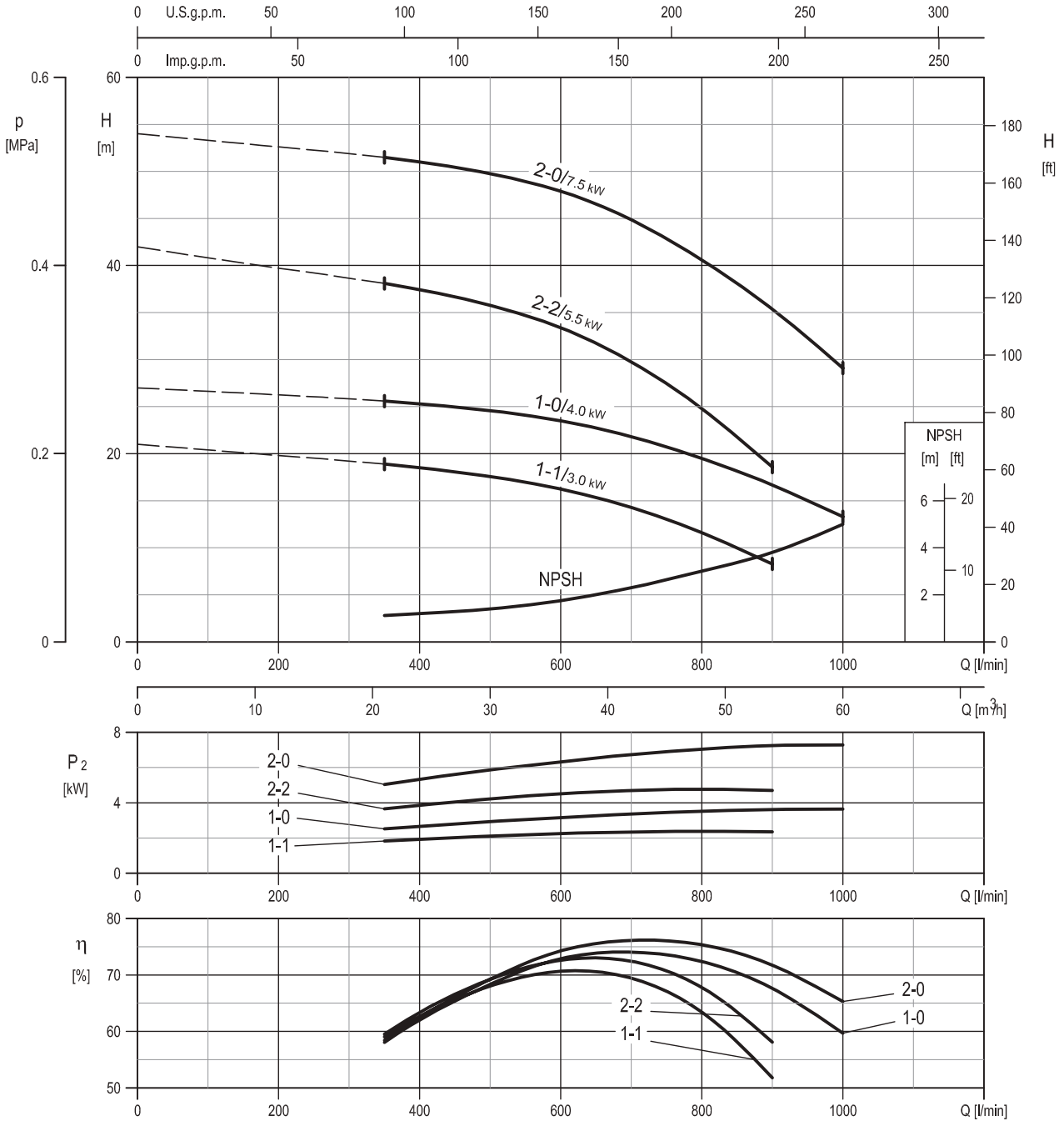


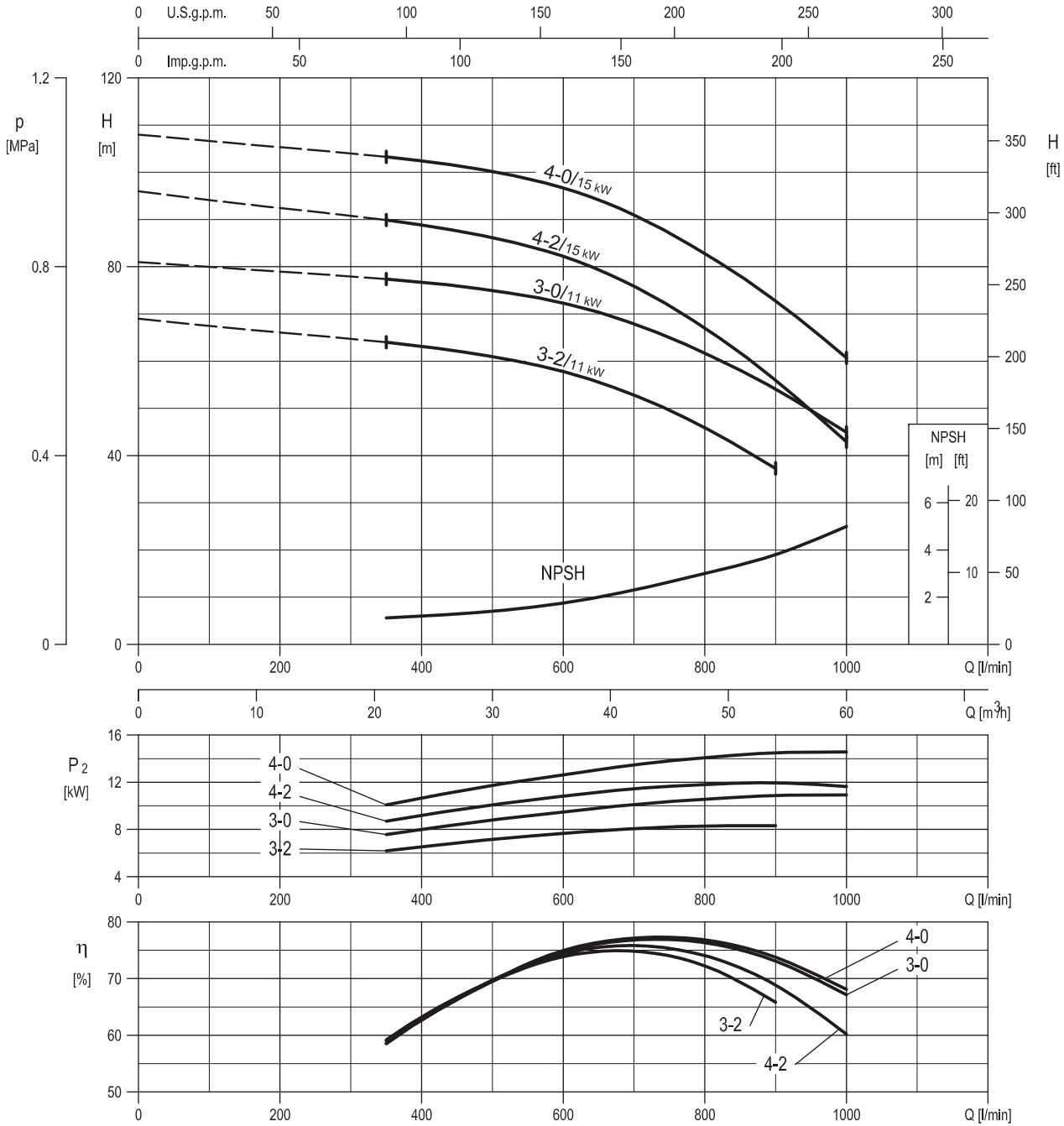
PERFORMANCE CURVE
EVMG45

EVMG45



Rotation speed ≈2900 min⁻¹
Test standard: ISO 9906:2012 - Grade 3B

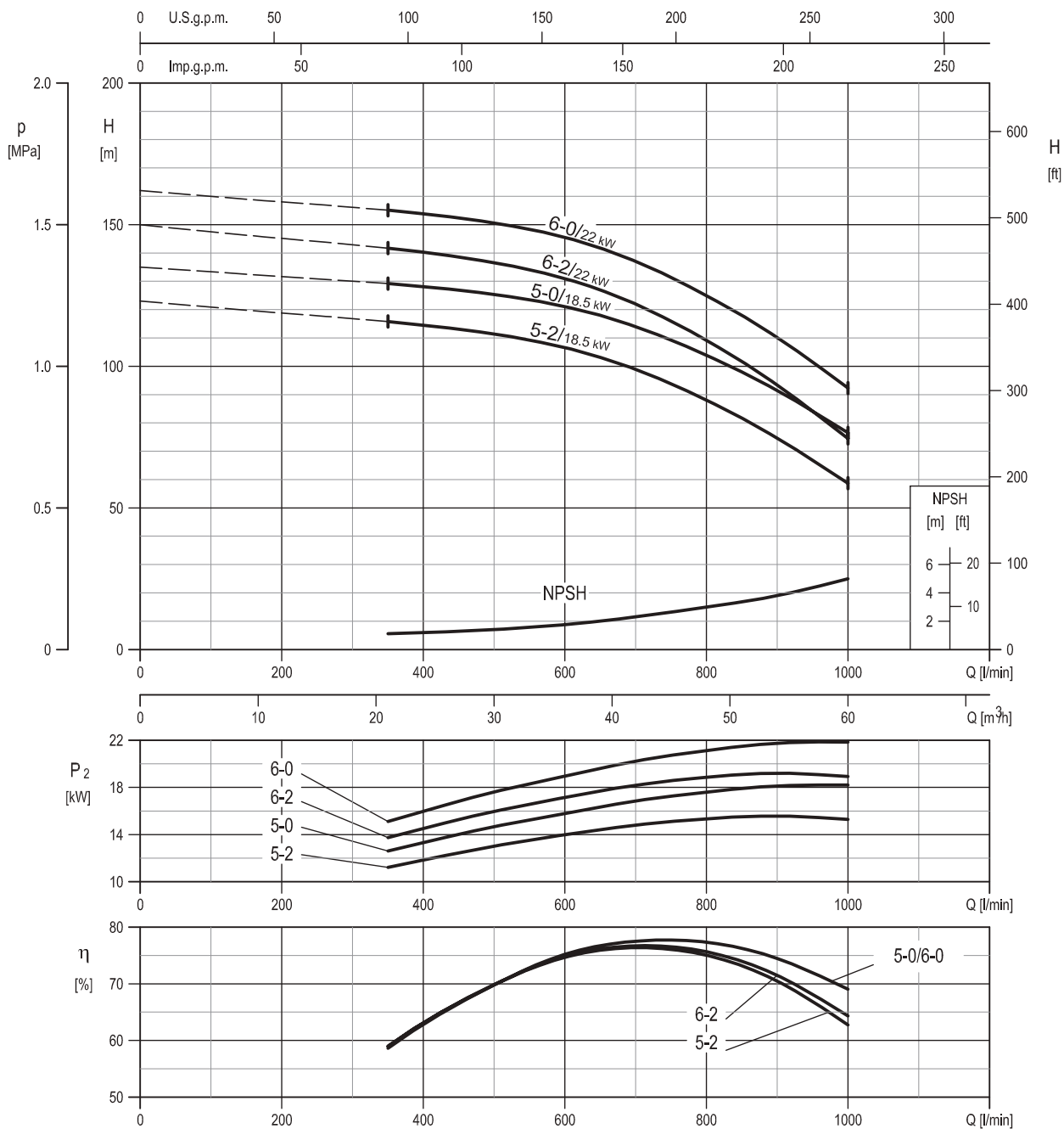
PERFORMANCE CURVE EVMG45



Rotation speed $\approx 2930 \text{ min}^{-1}$
 Test standard: ISO 9906:2012 - Grade 3B

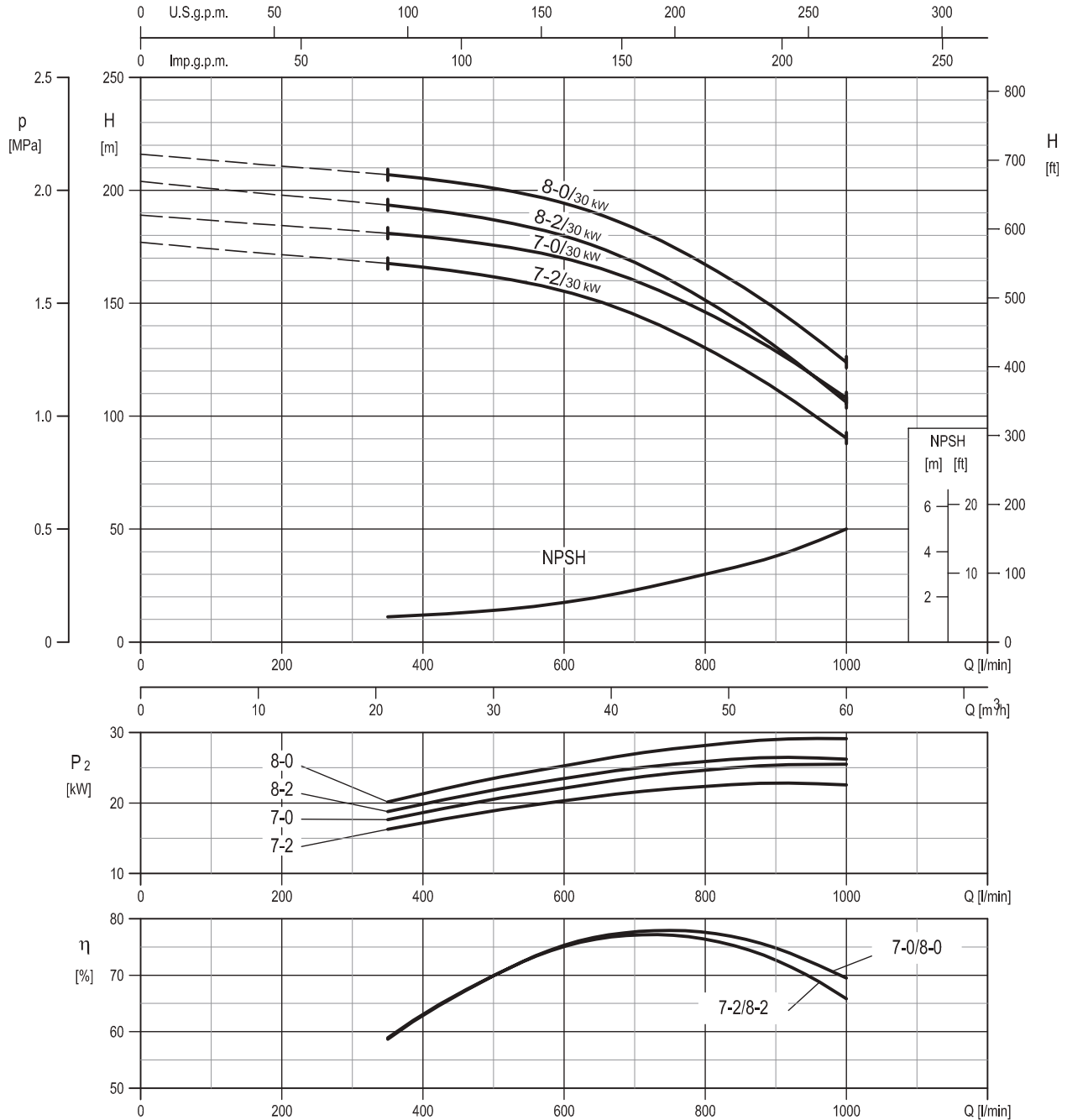
PERFORMANCE CURVE
EVMG45

EVMG45



Rotation speed ≈2940 min⁻¹
Test standard: ISO 9906:2012 - Grade 3B

PERFORMANCE CURVE EVMG45

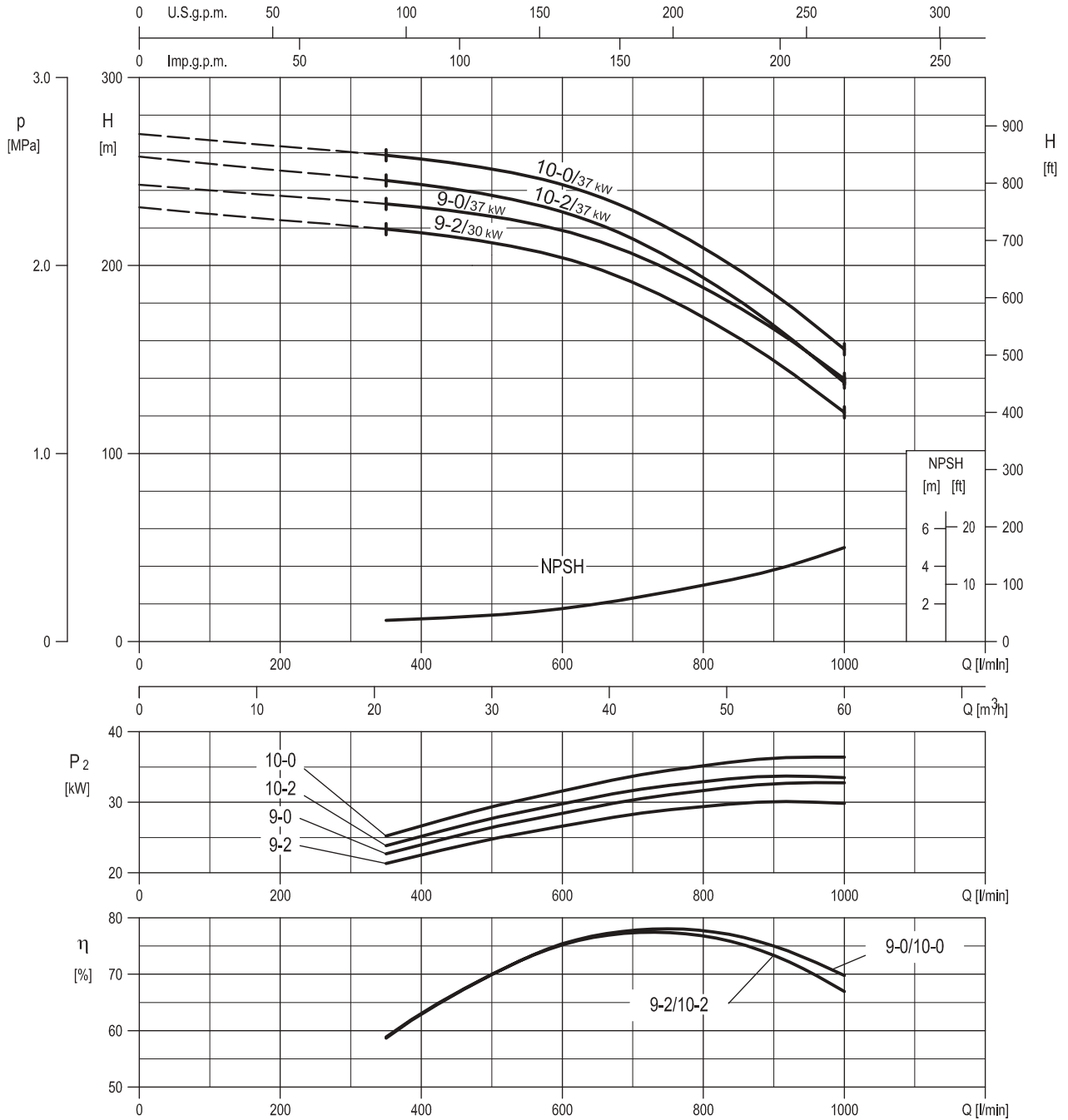


Rotation speed ≈ 2960 min⁻¹
 Test standard: ISO 9906:2012 - Grade 3B

EVMG45

PERFORMANCE CURVE
EVMG45

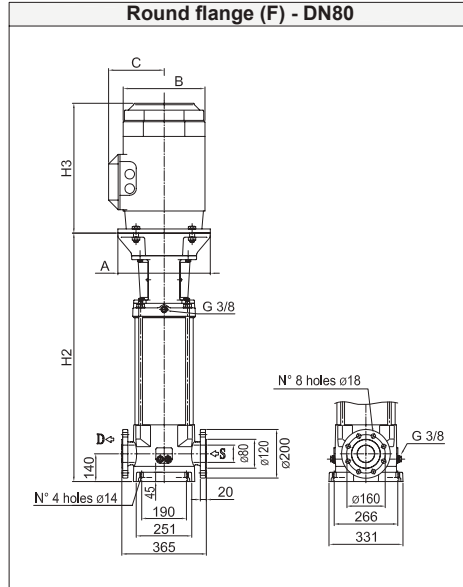
EVMG45



Rotation speed ≈2960 min⁻¹
Test standard: ISO 9906:2012 - Grade 3B

TECHNICAL DATA EVMG45

Dimensional sketch



Dimensions [mm] and Weights [Kg]

| Pump Type | P _{max} [MPa] | Motor | | | | | | Round flange (F) | | |
|-------------------|---------------------------|-------|-------|------|-----|-----|-----|------------------|-------------|---------------------|
| | | kW | Size | A | 3 ~ | | | H2 | Weight Pump | Weight Pump + Motor |
| | | | | | B | C | H3 | | | |
| EVMG45 1-1F5/3.0 | 1.6 | 3.0 | 100 L | ø160 | 196 | 155 | 306 | 525 | 69 | 92 |
| EVMG45 1-0F5/4.0 | 1.6 | 4.0 | 112 M | ø160 | 196 | 155 | 306 | 525 | 71 | 98 |
| EVMG45 2-2F5/5.5 | 1.6 | 5.5 | 132 S | ø300 | 225 | 160 | 328 | 618 | 79 | 118 |
| EVMG45 2-0F5/7.5 | 1.6 | 7.5 | 132 S | ø300 | 225 | 160 | 350 | 618 | 79 | 120 |
| EVMG45 3-2F5/11 | 1.6 | 11 | 160 M | ø350 | 248 | 194 | 476 | 821 | 97 | 159 |
| EVMG45 3-0F5/11 | 1.6 | 11 | 160 M | ø350 | 248 | 194 | 476 | 821 | 97 | 159 |
| EVMG45 4-2F5/15 | 2.5 | 15 | 160 M | ø350 | 317 | 238 | 498 | 893 | 105 | 194 |
| EVMG45 4-0F5/15 | 2.5 | 15 | 160 M | ø350 | 317 | 238 | 498 | 893 | 105 | 194 |
| EVMG45 5-2F5/18.5 | 2.5 | 18.5 | 160 L | ø350 | 317 | 238 | 542 | 965 | 126 | 230 |
| EVMG45 5-0F5/18.5 | 2.5 | 18.5 | 160 L | ø350 | 317 | 238 | 542 | 965 | 126 | 230 |
| EVMG45 6-2F5/22 | 2.5 | 22 | 180 M | ø350 | 360 | 268 | 577 | 1037 | 130 | 293 |
| EVMG45 6-0F5/22 | 2.5 | 22 | 180 M | ø350 | 360 | 268 | 577 | 1037 | 130 | 293 |
| EVMG45 7-2F5/30 | 2.5 | 30 | 200 L | ø400 | 399 | 300 | 658 | 1124 | 136 | 364 |
| EVMG45 7-0F5/30 | 2.5 | 30 | 200 L | ø400 | 399 | 300 | 658 | 1124 | 136 | 364 |
| EVMG45 8-2F5/30 | 2.5 | 30 | 200 L | ø400 | 399 | 300 | 658 | 1196 | 147 | 375 |
| EVMG45 8-0F5/30 | 2.5 | 30 | 200 L | ø400 | 399 | 300 | 658 | 1196 | 147 | 375 |
| EVMG45 9-2F5/30 | 2.5 | 30 | 200 L | ø400 | 399 | 300 | 658 | 1269 | 151 | 379 |
| EVMG45 9-0F5/37 | 2.5 | 37 | 200 L | ø400 | 399 | 300 | 658 | 1269 | 158 | 400 |
| EVMG45 10-2F5/37 | 3.0 | 37 | 200 L | ø400 | 399 | 300 | 658 | 1341 | 162 | 404 |
| EVMG45 10-0F5/37 | 3.0 | 37 | 200 L | ø400 | 399 | 300 | 658 | 1341 | 162 | 404 |

1.6 MPa=16 bar ; 2.5 MPa=25 bar; 3.0 MPa = 30 bar