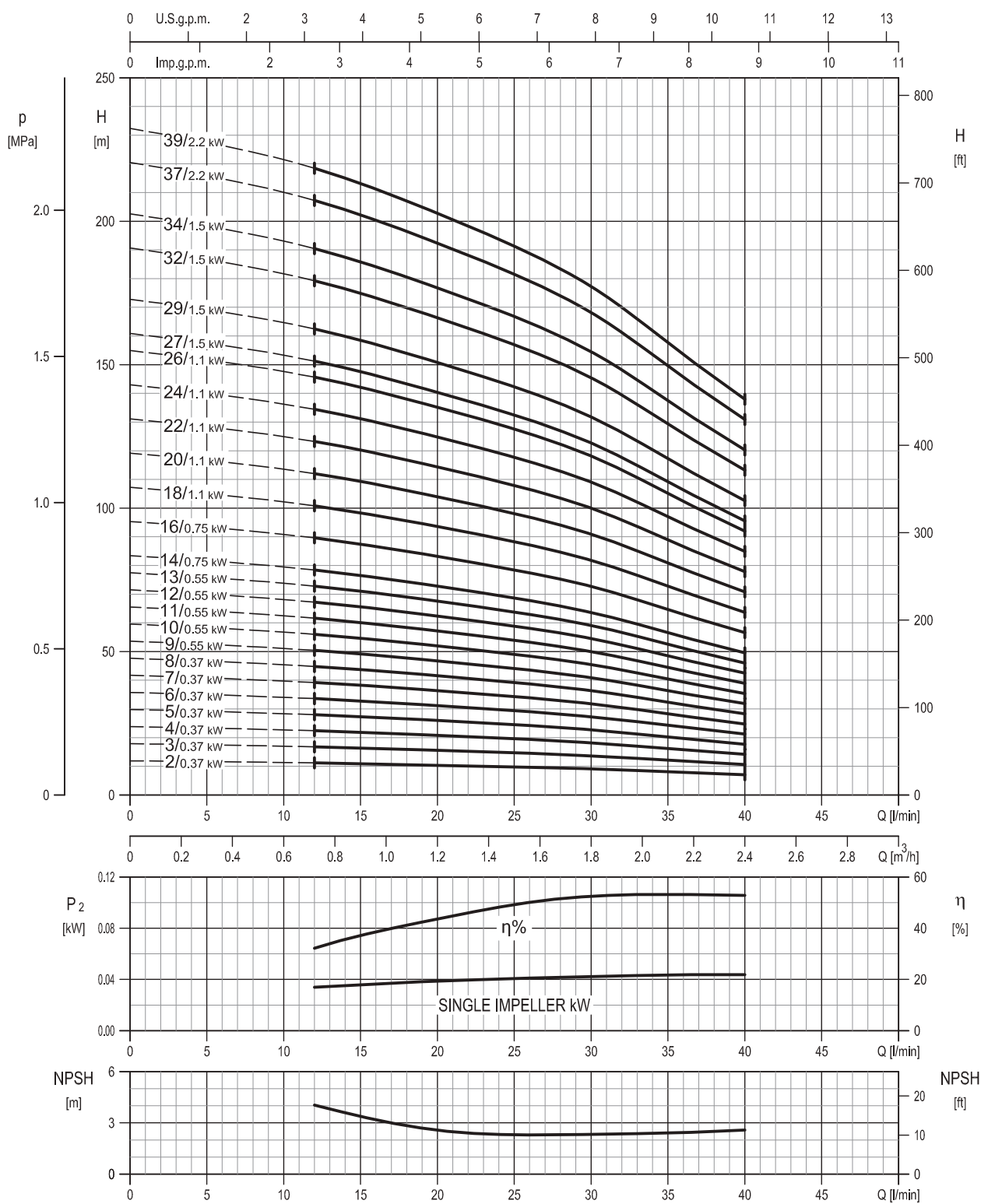


PERFORMANCE CURVE
EVMSG1

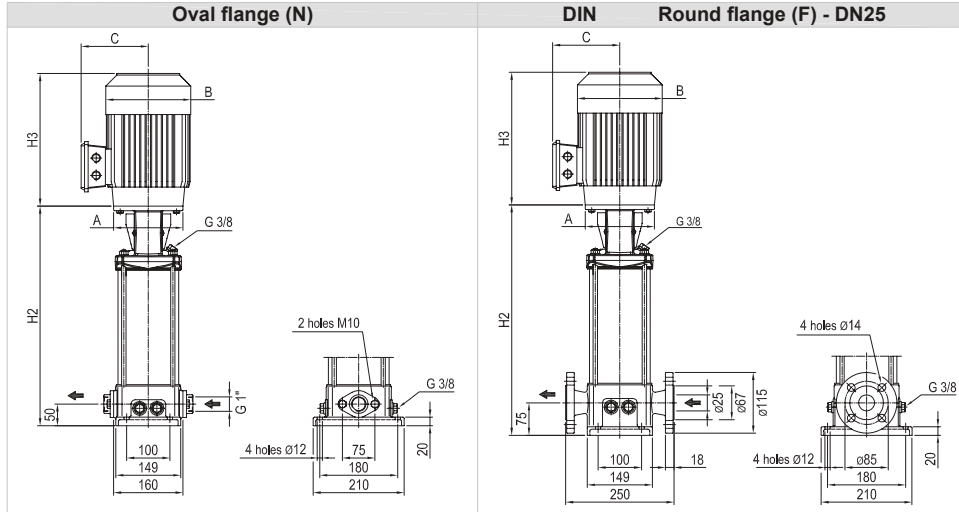
EVMSG1



Rotation speed ≈2900 min⁻¹
Test standard: ISO 9906:2012 - Grade 3B

TECHNICAL DATA EVMSG1

Dimensional sketch



Dimensions [mm] and Weights [Kg]

Pump Type	P _{max} [MPa]	kW	Size	Motor									Oval flange (N)				Round flange (F)			
				1~			3~			H2	Weight Pump		Weight Pump + Motor		H2	Weight Pump		Weight Pump + Motor		
				A	B	C	H3	B	C		H3	1~	3~	1~		3~	1~	3~		
EVMSG1 2/0.37	1.6	0.37	71	ø105	139	133	216	139	114	216	250	14	21.1	19.8	275	17.4	24.5	23.2		
EVMSG1 3/0.37	1.6	0.37	71	ø105	139	133	216	139	114	216	271	14.5	21.6	20.3	296	17.9	25	23.7		
EVMSG1 4/0.37	1.6	0.37	71	ø105	139	133	216	139	114	216	292	14.9	22	20.7	317	18.3	25.4	24.1		
EVMSG1 5/0.37	1.6	0.37	71	ø105	139	133	216	139	114	216	313	15.4	22.5	21.2	338	18.8	25.9	24.6		
EVMSG1 6/0.37	1.6	0.37	71	ø105	139	133	216	139	114	216	334	15.8	22.9	21.6	359	19.2	26.3	25		
EVMSG1 7/0.37	1.6	0.37	71	ø105	139	133	216	139	114	216	355	16.2	23.3	22	380	19.6	26.7	25.4		
EVMSG1 8/0.37	1.6	0.37	71	ø105	139	133	216	139	114	216	376	16.7	23.8	22.5	401	20.1	27.2	25.9		
EVMSG1 9/0.55	1.6	0.55	71	ø105	139	133	216	139	114	216	397	17.1	25.6	23.3	422	20.5	29	26.7		
EVMSG1 10/0.55	1.6	0.55	71	ø105	139	133	216	139	114	216	418	17.5	26	23.7	443	20.9	29.4	27.1		
EVMSG1 11/0.55	1.6	0.55	71	ø105	139	133	216	139	114	216	439	18	26.5	24.2	464	21.4	29.9	27.6		
EVMSG1 12/0.55	1.6	0.55	71	ø105	139	133	216	139	114	216	460	18.7	27.2	24.9	485	22.1	30.6	28.3		
EVMSG1 13/0.55	1.6	0.55	71	ø105	139	133	216	139	114	216	481	19.3	27.8	25.5	506	22.7	31.2	28.9		
EVMSG1 14/0.75	1.6	0.75	80	ø120	160	151	232	141	102	233	512	20	31.4	28.5	537	23.4	34.8	31.9		
EVMSG1 16/0.75	1.6	0.75	80	ø120	160	151	232	141	102	233	554	21	32.4	29.5	579	24.4	35.8	32.9		
EVMSG1 18/1.1	1.6	1.1	80	ø120	160	151	232	141	102	244	596	22.1	33.9	32.1	621	25.5	37.3	35.5		
EVMSG1 20/1.1	1.6	1.1	80	ø120	160	151	232	141	102	244	638	23.1	34.9	33.1	663	26.5	38.3	36.5		
EVMSG1 22/1.1	1.6	1.1	80	ø120	160	151	232	141	102	244	680	24.3	36.1	34.3	705	27.7	39.5	37.7		
EVMSG1 24/1.1	1.6	1.1	80	ø120	160	151	232	141	102	244	722	25.3	37.1	35.3	747	28.7	40.5	38.7		
EVMSG1 26/1.1	1.6	1.1	80	ø120	160	151	232	141	102	244	764	26.3	38.1	36.3	789	29.7	41.5	39.7		
EVMSG1 27/1.5	2.5	1.5	90	ø140	172	140	278	160	119	291	-	-	-	-	820	30.1	47.9	43.6		
EVMSG1 29/1.5	2.5	1.5	90	ø140	172	140	278	160	119	291	-	-	-	-	862	31.1	48.9	44.6		
EVMSG1 32/1.5	2.5	1.5	90	ø140	172	140	278	160	119	291	-	-	-	-	925	32.4	50.2	45.9		
EVMSG1 34/1.5	2.5	1.5	90	ø140	172	140	278	160	119	291	-	-	-	-	967	33.3	51.1	46.8		
EVMSG1 37/2.2	2.5	2.2	90	ø140	172	140	278	160	119	291	-	-	-	-	1030	34.7	54.2	49.7		
EVMSG1 39/2.2	2.5	2.2	90	ø140	172	140	278	160	119	291	-	-	-	-	1072	35.7	55.2	50.7		

1.6 MPa=16 bar ; 2.5 MPa=25 bar
- not available model