

PRODUCT SPECIFICATIONS EVM(.)32-45-64

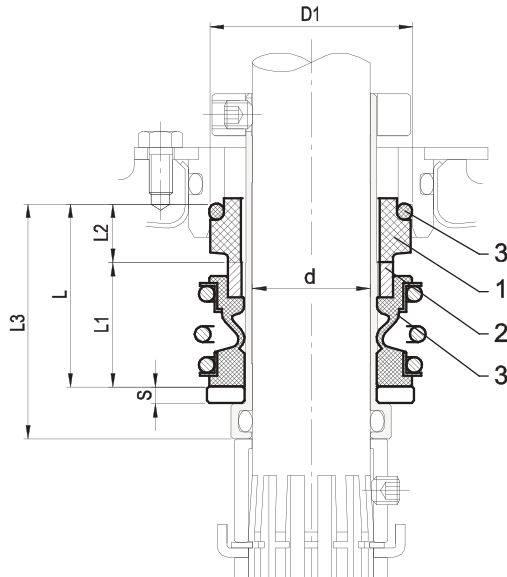
PUMP											
Version		EVMG			EVM			EVML			
Operating range	Nominal flow rate (m³/h)	32	45	64	32	45	64	32	45	64	
	Maximum working pressure	1.6 / 3.0 MPa (16 bar/ 30 bar)									
	Liquid temperature range	-15 °C to 120 °C									
Key Components Material	Impeller	EN 1.4301 (AISI 304)						EN 1.4404 (AISI 316L)			
	Intermediate casing	EN 1.4301 (AISI 304)						EN 1.4404 (AISI 316L)			
	Liner ring	EVM 32	EN 1.4301 (AISI 304) + PTFE						EN 1.4401 (AISI 316) + PTFE		
		EVM 45-64	EN 1.4401 (AISI 316) + PTFE								
	Bottom casing	Cast Iron			ASTMCF8			ASTMCF8M			
	Casing cover	Cast Iron			Cast Iron + EN 1.4301 (AISI 304)			Cast Iron + EN 1.4404 (AISI 316L)			
	Shaft	EN 1.4404 (AISI 316L)		●	●	●	●	●	●	●	
	Shaft sleeve bearing	Tungstene carbide									
	Shaft Seal	type	Cartridge mechanical seal								
		material	Silicon Carbide / Carbon / FPM								
	O-ring	EPDM						FPM			
	Outer casing	EN 1.4301 (AISI 304)						EN 1.4404 (AISI 316L)			
	Motor Bracket	Cast Iron									
	Tie rod	Carbon Steel									
	Coupling	Carbon Steel									
Base	Cast Iron										
Pipe connection	Round Flange (DIN)	●	●	●	●	●	●	●	●	●	

Legend: ● Available

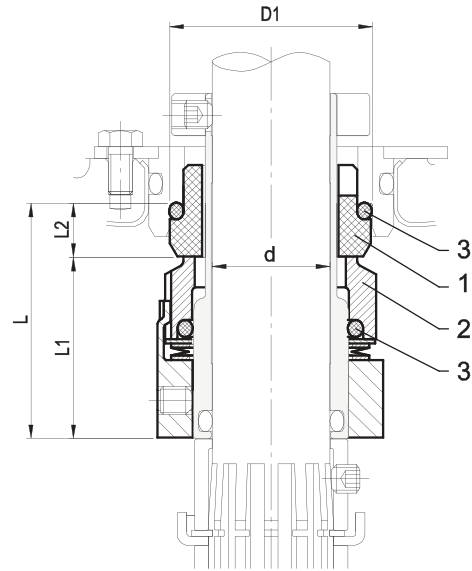
MOTOR		
Power Source	Frequency	50 Hz
	Phase	Three Phase
	Rotation speed	≈ 2900 min ⁻¹
	Power rating	2.2 ÷ 37 kW
		3.0 ÷ 50 HP
Voltage	230/400 ± 10% V (up to 4.0 kW)	
	400/690 ± 10% V (above 5.5 kW)	
Type	Type	Electric - TEFC
	Efficiency Level	IE3
	No° of poles	2
	Protection degree	IP 55
	Insulation Class	F (temperature rise class B)
Others	Thermal Protection	PTC is available for the above 22 kW included
	Casing Material	Aluminium
	Flange mount (IEC motor)	IM B14 (up to 4.0 kW)
IM B5 (above 5.5 kW)		

SHAFT SEAL EVM(.)32-45-64

1. Shaft Seal



up to 25 bar
Cartridge Unbalanced type

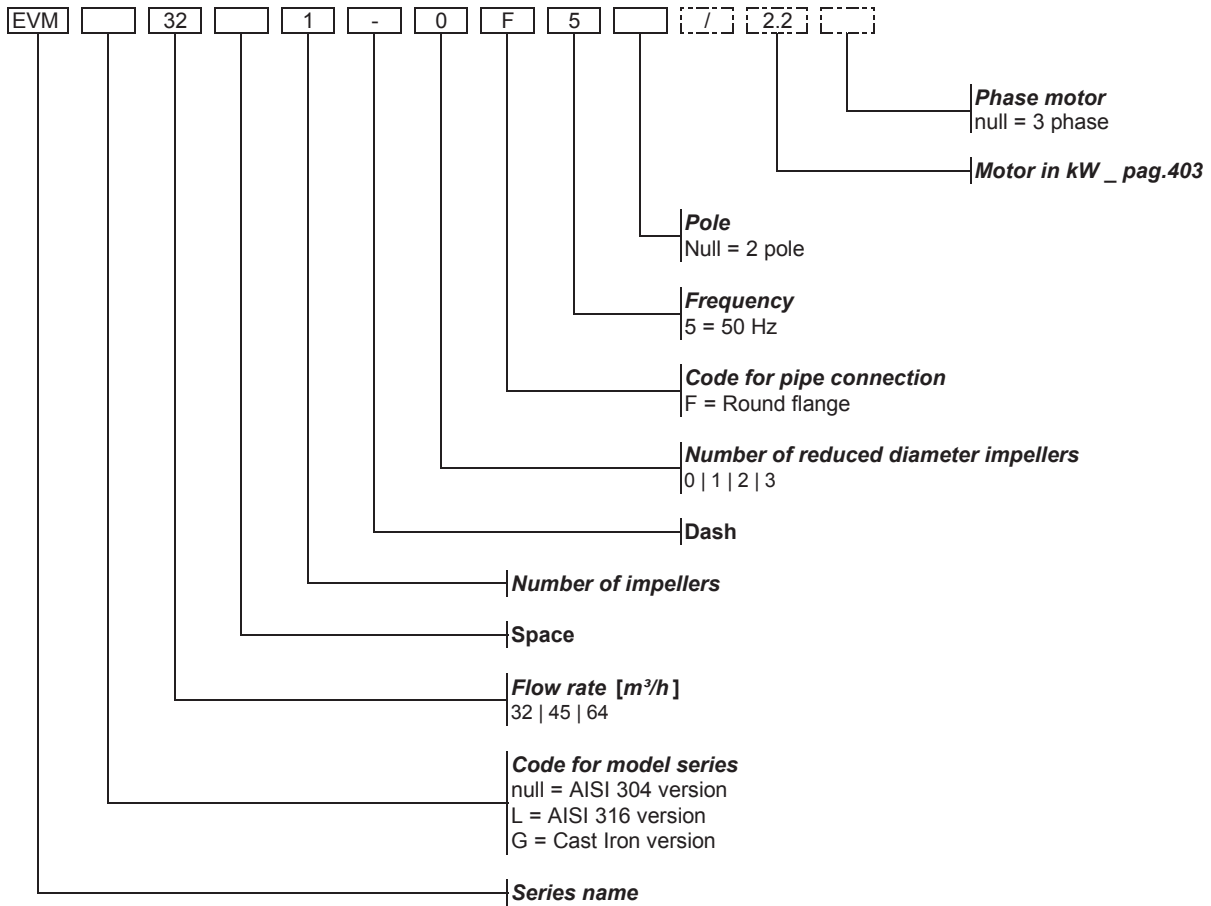


from 25 to 30 bar
Cartridge Balanced type

2. Type of Shaft Seal and Dimensions [mm]

Size [mm]	Max operating pressure [bar]	d [mm]	D1 [mm]	L [mm]	L1 [mm]	L2 [mm]	L3 [mm]	S [mm]	Material		
									1 Stationary Seal Ring	2 Rotary Seal Ring	3 Rubber
25	25	25	43	39	26.5	12.5	50	3.5	Carbon graphite	Silicon carbide	FPM
	30			50	38.5	11.5	-	-			

TYPE KEY EVM(.)32-45-64



Example for **pump without motor**:
EVM32 1-0F5

Example for **pump with motor**:
EVM32 1-0F5/2.2

NAMEPLATE

P.N/A 0123456789		EBARA		CE	
Via Campo Sportivo, 30		38022 Cles (TN) - ITALY		MADE IN ITALY	
TYPE	①	N	⑪		
Hmax	④	m	Hmin	⑤	m
Q	②	l/min	H	③	m
P2	⑥	KW	Hz	⑧	min ⁻¹ ⑨
HP	⑦	P/N	⑩		
MEI >	⑫	Hyd. eff.	⑬	%	

- 1) "TYPE" Pump model
- 2) "Q" Indicates upper and lower flow rate limits
- 3) "H" Indicates head limits corresponding to minimum and maximum flow rate
- 4) "Hmax" Maximum head
- 5) "Hmin" Minimum head
- 6) "P2" Rated power of the motor (output at shaft)
- 7) "HP" Rated power of the motor expressed in HP (Horse Power)
- 8) "Hz" Frequency
- 9) "min-1" Speed of rotation
- 10) "P/N" Pump item number
- 11) "N" Material code
- 12) "MEI" Index of the pump's quality in relation to its efficiency
- 13) "Hyd. Eff. " Hydraulic efficiency of the pump

PERFORMANCE RANGE
EVM(.)32-45-64

EVM PERFORMANCE RANGE

